

DOMES WITH LIGHT COVE (#98521) INSTALLATION

Please read and follow all instructions carefully

Follow all local building codes when framing.

Warnings: Edges of dome may be sharp. Do not step or climb on installed dome.

Supplied Materials:

- 1- Dome
- 4- Z-bars
- 12- 1/4" nuts
- 8- Washers for 1/4" threaded rods
- 8- Panhead Phillips wood screws
- 4- 6"x1/4" threaded bolts

Dome Specifications:

- Overall Weight: 78# +/- 10# (less medallion and chandelier)
- Overall Diameter: 78"
- Medallion Size: 20" diameter or less

Installation

1. For new construction, frame square rough opening to 75 1/2" x 75 1/2". Install diagonal bracing in the four corners to form a round rough opening. Cover with sheetrock and cut out circle.
2. For old work, cutout a 75 1/2" circle in the ceiling and frame rough opening as needed.
3. Install support hardware as shown in "View B" with Z-bar loosely fitted. Larger rafters will require cutting threads to suit. Electrical boxes should be attached at this time. Lift the dome and insert in the ceiling opening.

Note: The 6" bolts provided will work with 2x4's - 2x8's.

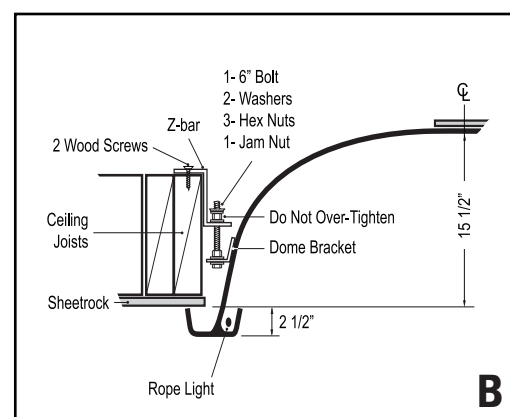
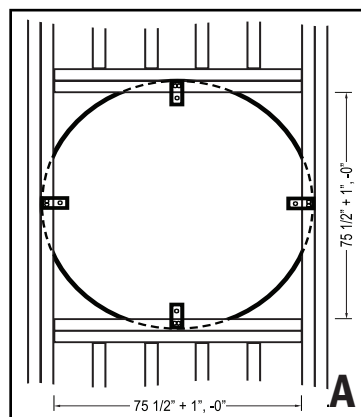
4. Rotate dome so that bolts and Z-bar are aligned with center of ceiling joists.

Note: Hole to power the rope lighting should be turned toward the source.

5. With the Z-bar flush against the ceiling joist, screw the two wood screws through holes provided on each Z-bar.

6. Adjust nuts applied in step 3 sequentially to lift the dome up tightly against the ceiling. Do not over tighten. Secure jamming nuts against tighten nuts for secure installation. Caulk dome to ceiling to fill any gaps.

Note: To determine center, measure from finished side. There is a small 1" dot in approximate center.



Finishing

Clean face of dome with mineral spirits. Lightly sand and paint with any high quality latex or oil base paint.

Rope Lighting

Dome requires approximately 19' of U.L. approved rope lighting. Lighting is not provided by Focal Point. The rope lighting can be overlapped or doubled up for increased illumination dependent upon manufactures specifications. Clear rope will give a candle light colored glow to the dome. For best effect use a rheostat on the wall switch.